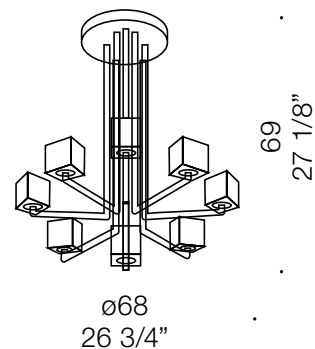


# Otto x otto K8

Design Francesco Dei Rossi



## Dimension



Weight : 29,50 Kg  
Volume : 1 package 0,300 m<sup>3</sup>

## Product

Code : ● 0OTTO0K00  
● 0OTTO0K10

Type : Ceiling chandelier

## Light source

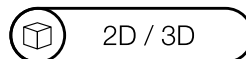
Type : Halogen / LED  
Watt : 8 x MAX 60W  
G9

## Finish

Glass : Clear glass

Frame : Chrome, Gold

## Certificates



**Accessories** de Majo team will advise clients with the best option, assisting them with their purchase.